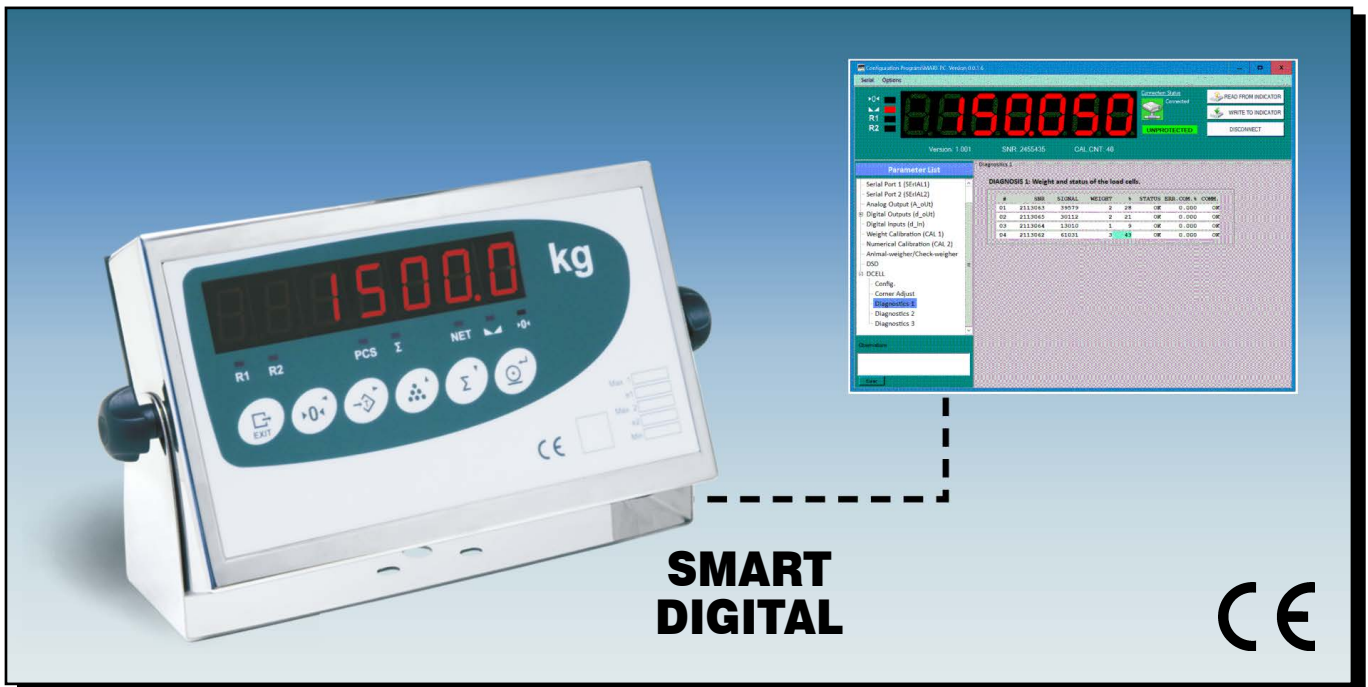
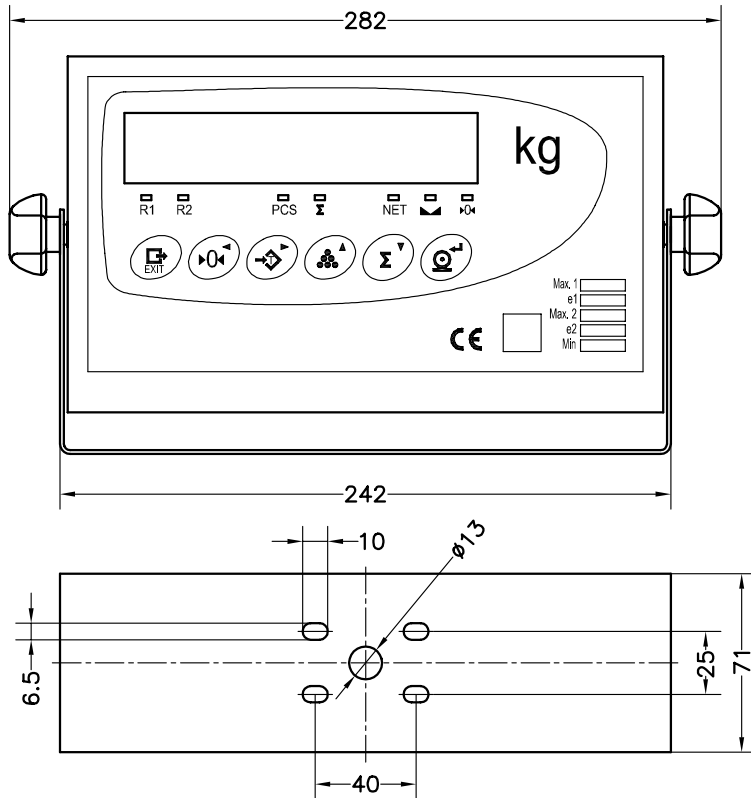
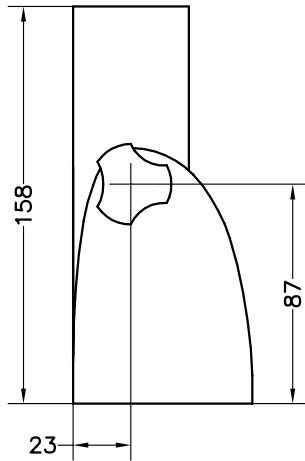


## WEIGHING INDICATOR



The SMART DIGITAL is an Electronic Weight Indicator to connect up to 16 DIGITAL load cells. It has a PC program with which the scale is configured and calibrated very easily, using the screen to show the status of each load cell separately, improving the installation time, calibration and maintenance process.

- **Approved on OIML R76 and EN 45501**, Single Range or Multi-range
- **Display** 7 digit 20mm LED high bright.
- **Configuration and adjustment by keyboard and/or PC Software**
- **Calibration by Masses or numerical.** Allows to start up the scale without physical masses, using the digital load cells internal values
- **Corner adjustment** by PC software
- **Calibration sealing** by software or mechanically
- **Connect up to 16 digital load cells** model 740D or compatibles
- **Communication RS-232 or USB** to PC
- **Communication RS-232** to a printer or repeater
- **Communication MODBUS RTU and ASCII** by serial ports or USB
- **Mounting: bench/wall mounting kit**
- **External power supply** 100-240 V AC 50/60 Hz
- **High electromagnetic interference protection** using filters, ferrites and shields
- **Multi-range:** for dual range and dual division size
- **Standard Ticket or customized from PC**
- **Linearity correction**
- **Optional:** (see versions table)
  - Alibi Memory DSD legal-for-trade, with more than half million weight registers
  - 4 Digital inputs
  - 4 Digital outputs
  - Additional communication RS-232 and RS485
- **Applications:**
  - Weight Indicator for industrial scales and truck scales
  - Weight Indicator for Tanks and Silos
  - Piece counting and Totalizations (accumulation of weights)
  - Animal weighing / Checkweigher



Transport weight:  
SMART: 2.1 kg

Dimensions in mm.

## TECHNICAL SPECIFICATIONS

### Load cell connection:

Maximum connection of load cells .....	16
Excitation voltage .....	15 V DC
General parameters and digital scale parameters configuration .....	Software PC
Maximum cable length (indicator – junction box) .....	max. 700m (see manual)

### Display:

Type .....	7 digit LED 20 mm
Keyboard .....	6 keys

### Serial Communications:

RS-232 Port .....	RS-232C bidirectional
RS-485 Port .....	RS-485 half-duplex
USB Port .....	microUSB for PC connection
Transmission rates .....	115200, 57600, 38400, 19200, 9600, 4800, 2400 y 1200 bauds
Number of bits and parity .....	8 bits no parity, 7 bits even parity and 7 bits odd parity
MODBUS .....	RTU and ASCII in all serial ports

### Power:

Power supply .....	100-240 V AC, 50/60 Hz, 30 W max.
Fuse .....	250 V, 3.15 A slow fusion

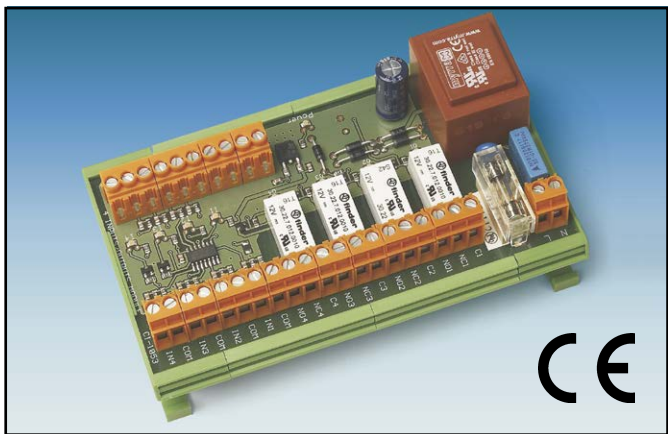
### Environmental and Mechanical:

Operating temperature .....	-10 °C a 40 °C
Storage temperature .....	-25 °C a 70 °C
Size .....	282 x 158 x 71 mm
Mounting .....	Bench/Wall mounting kit

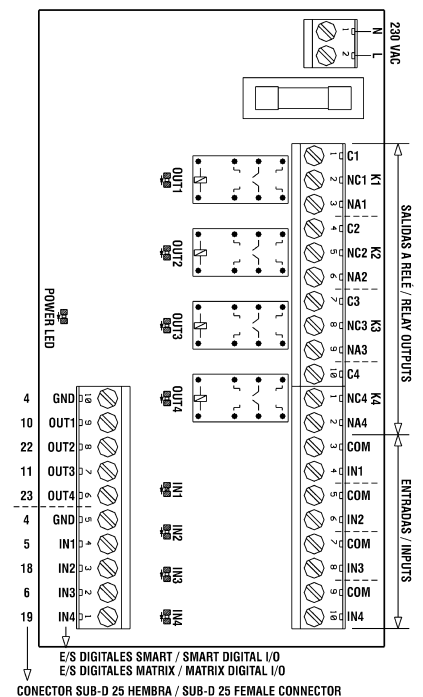
## VERSIONS

INDICATOR	SMART DIGITAL	SMART DIGITAL MULTI 1 DSD
Reference	89350D	89354D
Enclosure material	Inox	Inox
IP protection	IP40	IP40
External connector	✓	✓
RS-232 Serial port	1	2
RS-485 Serial port		1
USB Port	1	1
Digital Input/Output		4/4
Alibi memory DSD		✓

## 89319 ACC. 4 OUTPUT RELAYS / 4 INPUTS FOR SMART



This module is a conversion unit that directly connects the logical inputs and outputs of the SMART indicator and provides the user with 4 contact inputs and 4 relay outputs as well as the necessary power supply.



POWER	Input voltage	230 V AC 50/60 Hz
	Fuse	250 V, 100 mA
	Consumption	2.4 W
OPERATING CONDITIONS	Operating temperature Range	25 °C / +50 °C
	Storage Temperature limits	-25 °C / +70 °C
INPUTS AND OUTPUTS	Inputs: Maximum Voltage	24 V DC
	Relay Outputs	230 V AC / 0,2A 30 V DC / 1A
MECHANICAL CHARACTERISTICS	Size	136 x 82 x 57 mm
	Weight	0.2 kg

### OTHER

#### ACCESSORIES:

- **89313** Printer cable 3 m
- **89314** PC cable 3 m
- **89370**  
Acc. board TIME DSD