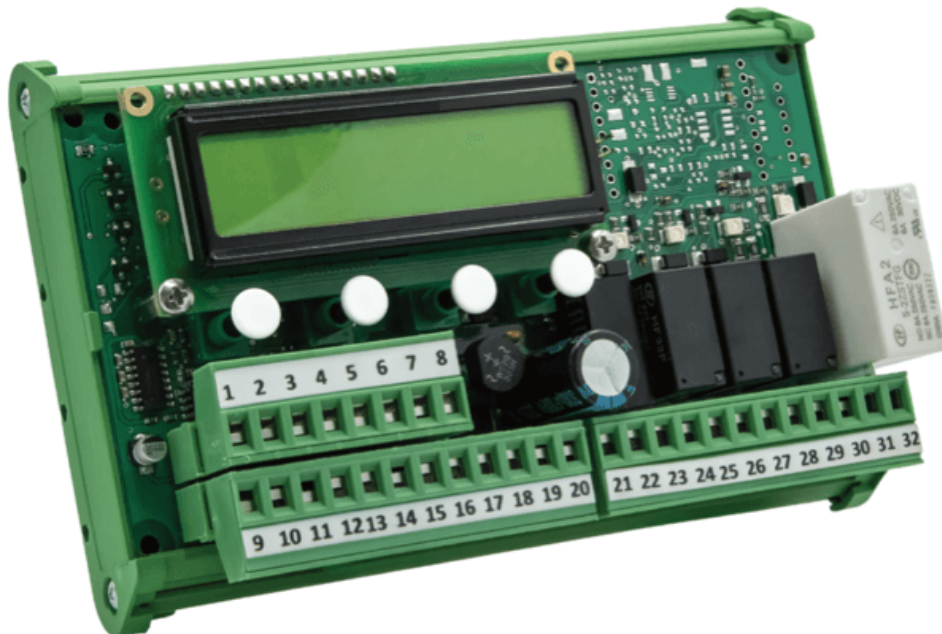


General information

PWS40520260529

The load limiter LC 330 is an electronic instrument compact and reliable, compliant to the safety regulations EN 13849-1 PL d / EN 62061 SIL 2, designed for to prevent overloads and to ensure the safety of the operators. It is equipped with: 2 inputs independent for load cells (single or dual bridge). Display LCD backlit to 2 lines x 16 characters. Keypad to 4 mechanical keys for calibration and configuration quick. Terminal blocks extractable for to simplify wiring and maintenance. Function adder up to 4 units connected (via RS485 or RF optional). Relay of safety to contacts guided for blocking and alarms.



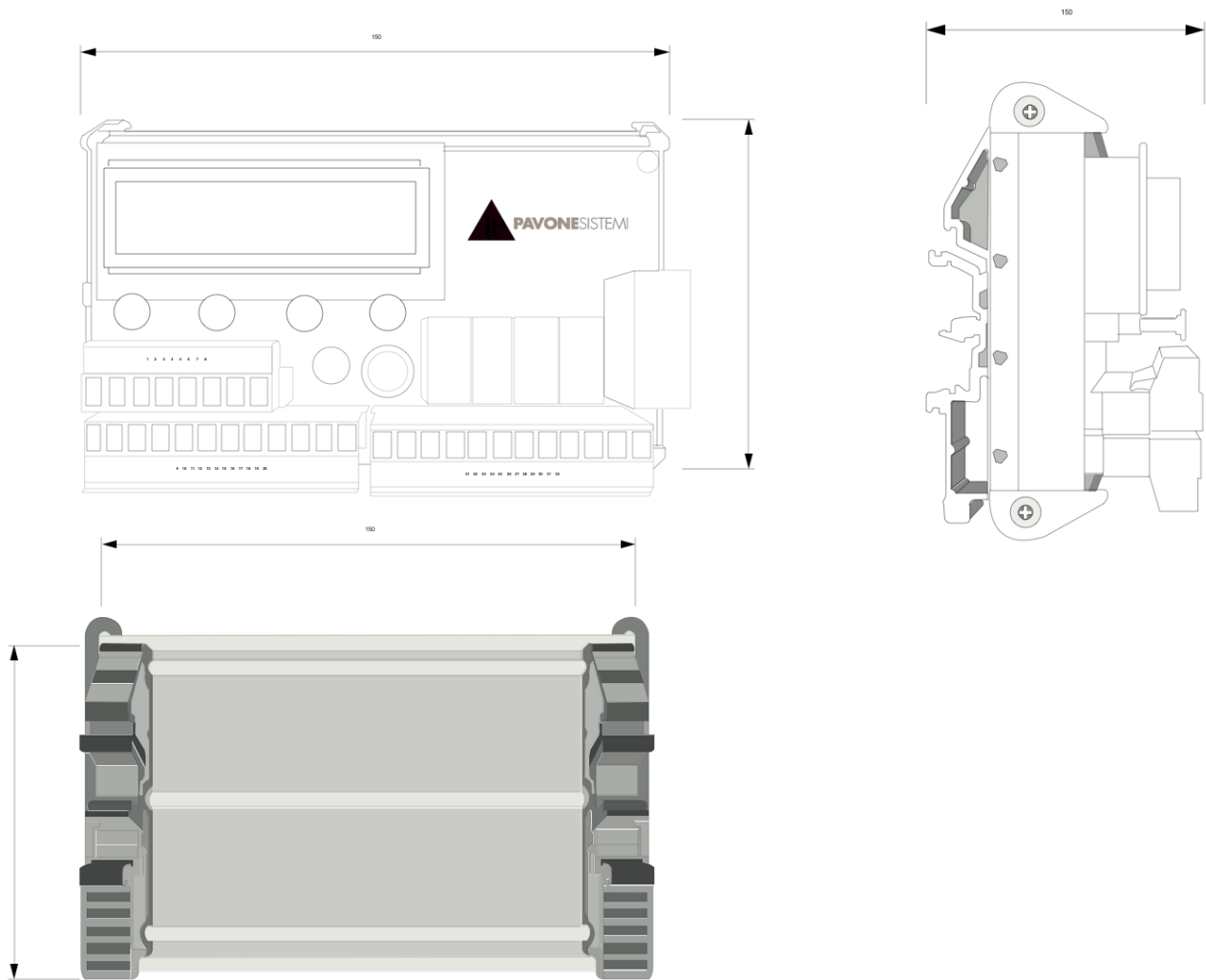
All indicated data may be changed without notice.
All the measures indicated are expressed in millimeters (mm).

Technical specifications

PWS40520260529

Measuring range:	-3,9 ÷ +3,9 mV/V
Internal Resolution:	24 bit
Linearity:	<0,01% full Scale
Gain drift:	<0,002% FS / °C
Filter:	0,25 ÷ 3 Hz selezionabile
Display:	LCD display with backlight 2 x 16 character
Keyboard:	4 mechanical keys
Number of connectable load cells:	Max 8 cells from 350 Ohm (single/dual bridge)
Voltage power cell:	4 Vdc short-circuit protected
Logic inputs:	2 optoisolated inputs
Logic output:	1 safety interlock relay, 2 limit relays, 1 alarm relay
Rated load RL:	2A – 30Vdc/250Vac
Analog optional output:	0–10 V / 0–5 V o 0–20 mA / 4–20 mA, 16 bit
Output linearity:	0,03 % full scale
Temperature drift analog output:	<0,002 % full scale/°C
Communication interfaces:	RS232, RS485, Optional RF (868 MHz)
Flash memory:	128 KB Flash + 32 KB EEPROM (expandable to 256 KB)
Microcontroller:	ARM Cortex M0+ 32 bit
Power supply:	20 ÷ 50 Vac/Vdc, 6 VA
Isolation:	Class III
Power consumption:	6 VA
Temperature range:	-10 ÷ +50°C (max 85% humidity without condensation)
Storage temperature:	-20 ÷ +60°C
Material:	Polyamide 6.6 UL 94V-0 flame retardant
Electrical connection:	Removable screw terminals with 5.08mm pitch and RJ45, USB A and B communication ports
Dimensions:	140 x 93 x 65 mm (Enclosure) / 90 x 72 mm (Circuit board)
Mounting type:	Fixing with 4 screws or on support for DIN bar or OMEGA bar 35 mm
Regulatory compliance:	EN61010-1, EN61000-6-2, EN61000-6-3, EN13849-1, EN62061 SIL

All indicated data may be changed without notice.
 All the measures indicated are expressed in millimeters (mm).



All indicated data may be changed without notice.
All the measures indicated are expressed in millimeters (mm).