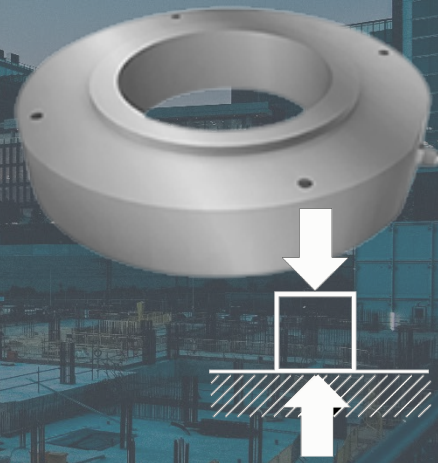


STAINLESS STEEL HERMETICALLY SEALED IP 68



# Load Cell ANC



**Special load cell** designed for a whole range of special applications with the need for specific ways of attachment.

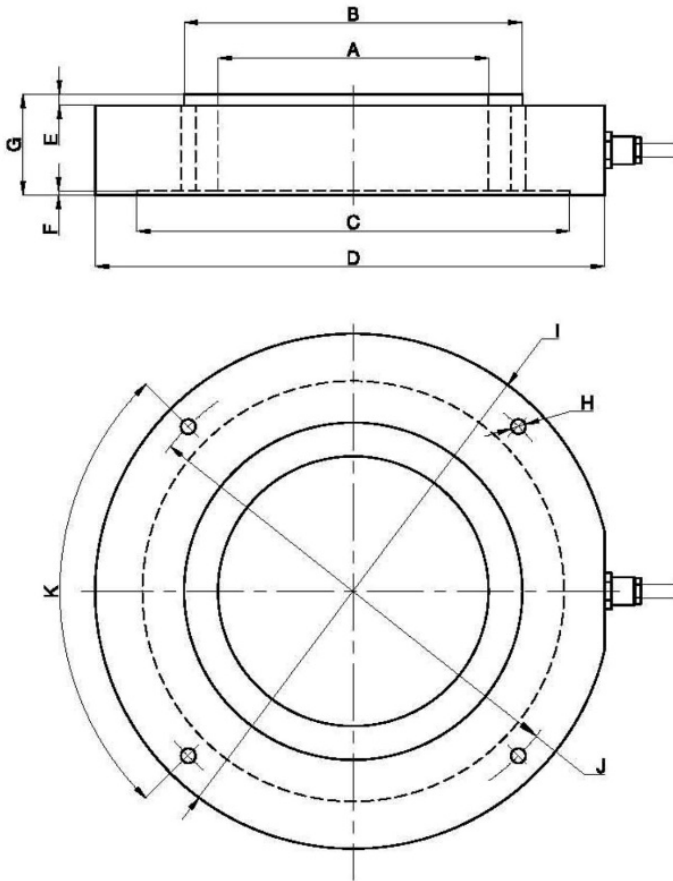
The load cell is suitable for a wide range of applications in which it is necessary to monitor the state of the installation. The usual use of ANC load cell is for monitoring bolt tension, cable tension systems, rock anchor monitoring or monitoring of sheet pile walls.

## BASIC PARAMETERS

- ✓ **Stainless steel** compression load cell
- ✓ Hermetically sealed, fully welded
- ✓ Protected IP 68 (EN 60529)

## APPLICATION

- ✓ Easy installation
- ✓ Wide application possibilities
- ✓ **Compatible with remote monitoring system** [UCS UNIFIED CLOUD SENSORS](#)



SPECIFICATIONS		
Nominal capacities (Ln)	1000 - 2500	kN
Minimum dead load (Emin)	0	%Ln
Service load	150	%Ln
Safe load limit (Elim)	>300	%Ln
Temperature compensation	-10...+40	°C
Temperature limits	-30...+70	°C
Total error	<±0.5	%Ln
Nominal sensitivity (Cn)	2 ±0.1%	mV/V
Nominal input voltage	10	V
Maximum input voltage	15	V
Input impedance	700±5	Ω
Output impedance	700±20	Ω
No load output	±1	%Cn
Insulation resistance	>5000	MΩ
Material	Stainless steel	
Protection class (EN 60529)	IP 68	
Cable type and length	6 wires / 5 m	
Maximum deflection (at Ln)	0,4	mm

Nominal capacity	øA	øB	øC	D	E	F	G	øH	øI	øJ	K°
1000 kN	120	150	192	226	5	2	45	6,5	229	207	90
2500 kN	225	250	291	318	5	2	45	6,5	319	302	90

## ELECTRICAL CONNECTION

### «SENSES»

2 additional wires to maintain a constant voltage supply at the load cell when used with proper instrumentation. Use specially when long wires and wide temperature range.

### «SHIELD»

Not connected to transducer body.

